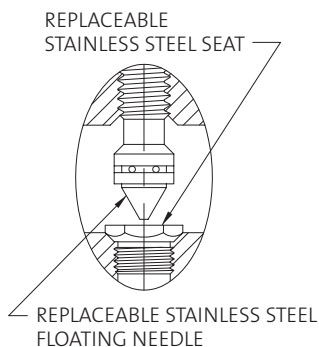
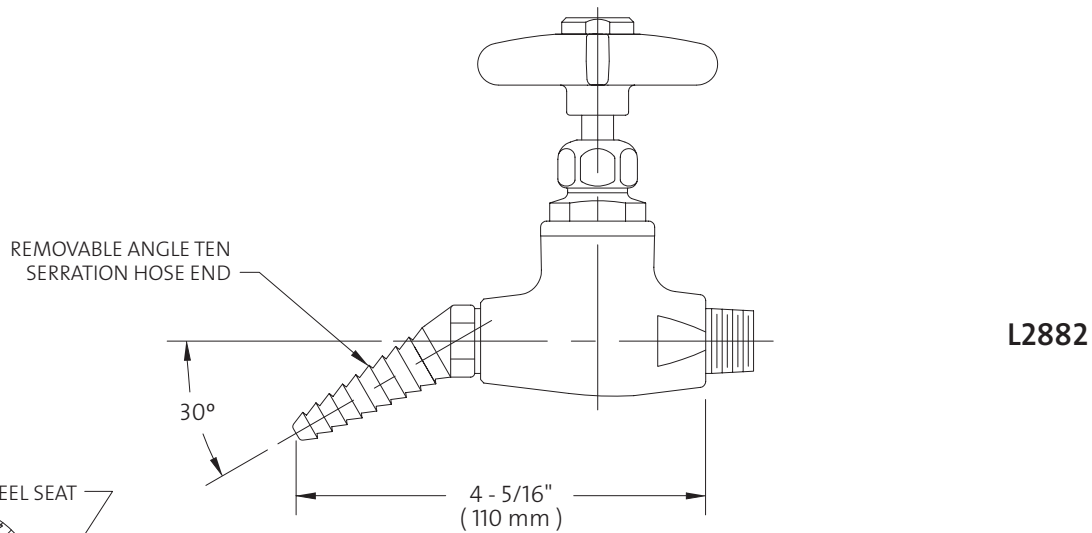
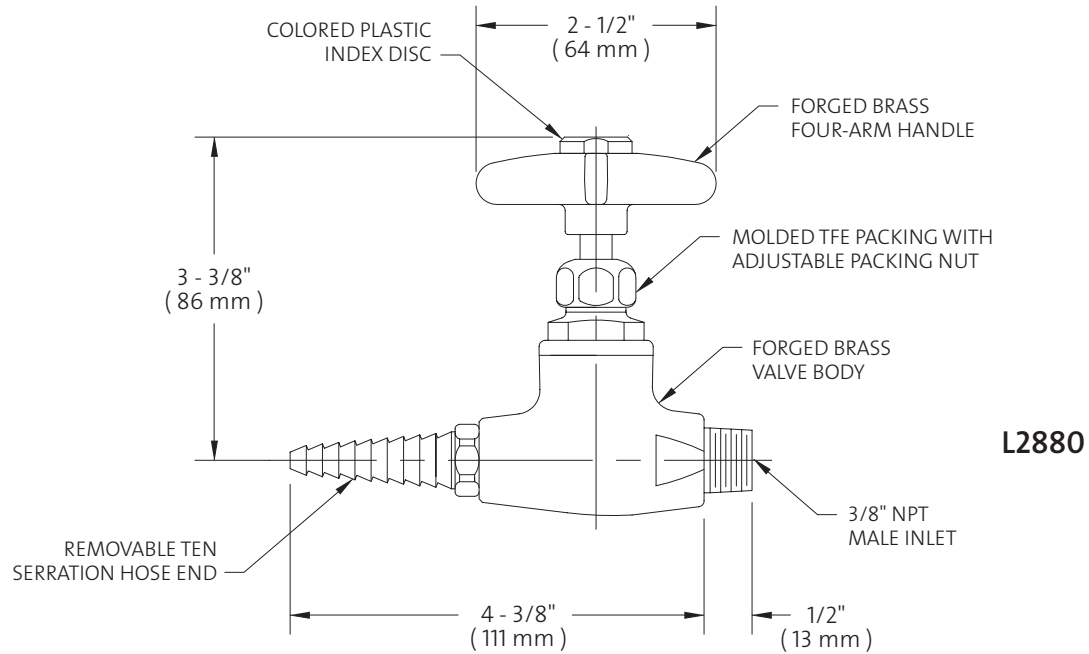


- **L2880** Needle Valve, Straight Pattern, Straight Serrated Hose End
- **L2882** Same as Above Except with Angle Serrated Hose end



NOTES:

1. VALVE IS CERTIFIED BY CSA INTERNATIONAL TO COMPLY WITH ANSI 21.12 AND CGA 9.1.
2. VALVE IS FULLY ASSEMBLED AND FACTORY TESTED AT 225 PSI NITROGEN PRESSURE. MAXIMUM WORKING PRESSURE IS 150 PSI.
3. SPECIFY IF CLEANING FOR OXYGEN AND HIGH PURITY GASES IS REQUIRED.

Measurements may vary $\pm 1/4$ ".

© 2008 / WaterSaver Faucet Co.