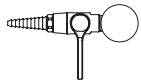
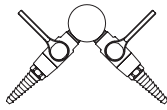


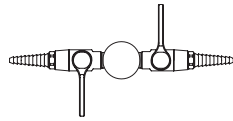
L4200-131WSA Laboratory Ball Valve Assembly, Deck Mounted Single



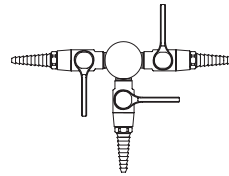
L4200-131WSA
Single



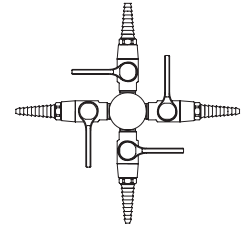
L4200-132AWSA
90° Double



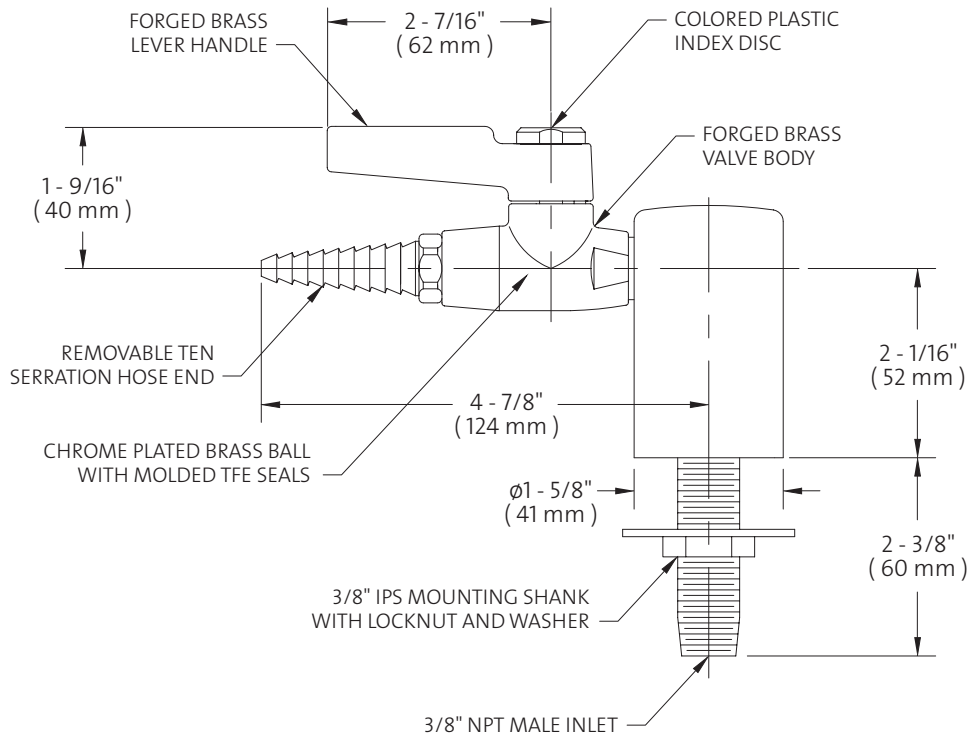
L4200-132SWSA
180° Double



L4200-133WSA
3-Way



L4200-134WSA
4-Way



NOTES:



1. LABORATORY BALL VALVE ASSEMBLY IS CERTIFIED BY CSA INTERNATIONAL TO COMPLY WITH ANSI Z21.15 AND CGA 9.1.
2. FIXTURE IS FULLY ASSEMBLED AND FACTORY TESTED AT 125 PSI AIR PRESSURE. MAXIMUM WORKING PRESSURE IS 75 PSI.

Measurements may vary $\pm 1/4$ ".

© 2008 / WaterSaver Faucet Co.