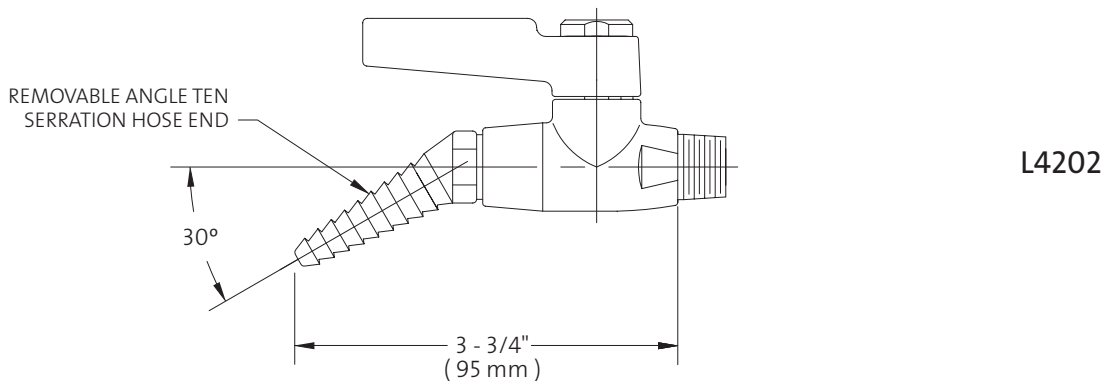
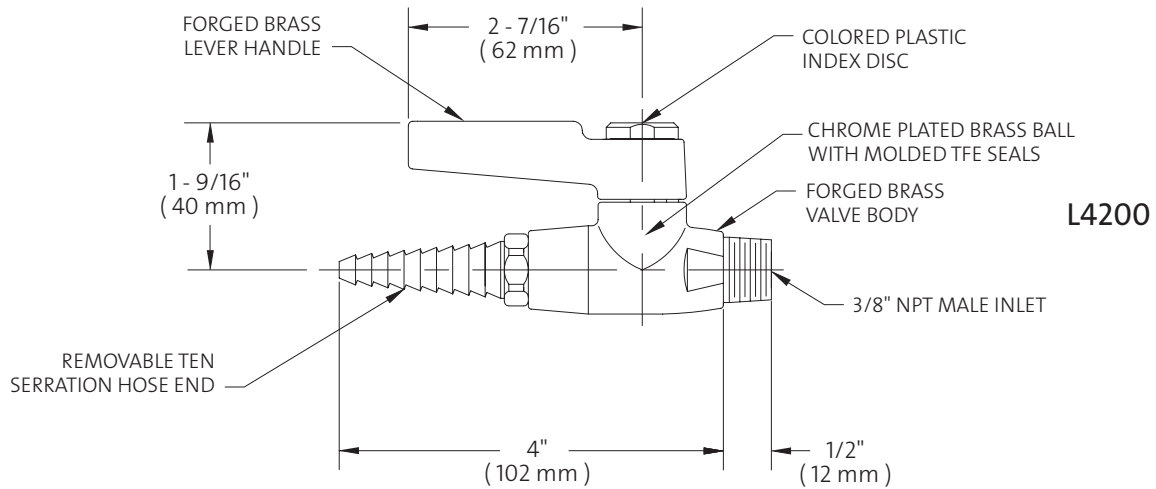


- **L4200** Laboratory Ball Valve, Removable Serrated Hose End
- **L4202** Same as Above Except with Angle Serrated Hose End



NOTES:

1. LABORATORY BALL VALVE IS CERTIFIED BY CSA INTERNATIONAL TO COMPLY WITH ANSI Z21.15 AND CGA 9.1.
2. VALVE IS FULLY ASSEMBLED AND FACTORY TESTED AT 125 PSI AIR PRESSURE. MAXIMUM WORKING PRESSURE IS 75 PSI.
3. IF INTEGRAL CHECK VALVE TO PREVENT BACK FLOW IS DESIRED, ADD SUFFIX "CV".